

ELEMENTi[®]

MAINS PRESSURE
SHOWER VALVE



PROGRESSIVE SHOWER MIXERS

The **CI7** Progressive shower mixer is an equal mains pressure shower valve. The benefit of a Progressive Shower Mixer is that its clockwise rotational action opens the cold-water flow first, then gradually introduces the hot water to achieve a comfortable showering temperature and then continuing to rotate the handle full hot water flow will be achieved. This rotational / progressive temperature functionality eliminates the risk of accidentally delivering hot water by always opening the cold-water flow first, thus reducing the risk of accidental scalding and the wastage of hot water.

The temperature adjustment mechanism is a ceramic cartridge which being progressive in one direction is more durable than a normal tilt and turn ceramic cartridge and delivers a full flow within a quarter turn.

A pointer on the handle indicates the expected water temperature relative to the markings on the face plate (Off, Cold Warm and Hot).

UNO PROGRESSIVE SHOWER MIXER

MAINS PRESSURE / Ø90
INCLUDES ROUND AND SQUARE FACEPLATE

CHROME:
43470.02



BRUSHED NICKEL:
43470.04



GUN METAL:
43470.29



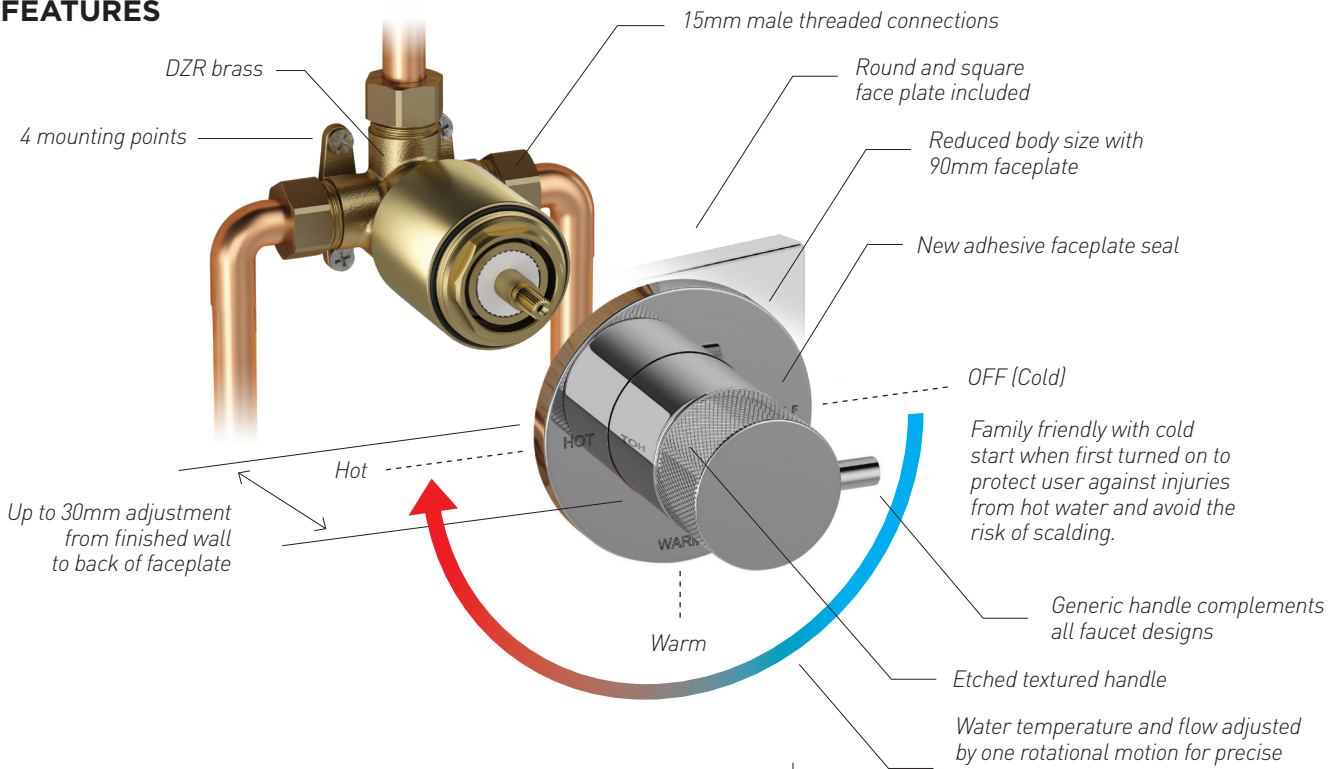
BLACK:
43470.13



BRUSHED BRASS:
43470.07

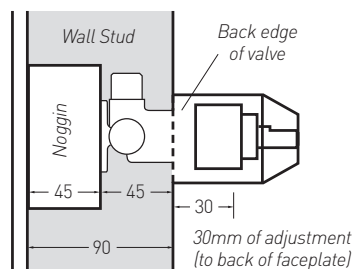


FEATURES



30MM ADJUSTMENT RANGE

The Mains Pressure shower mixer features a 30mm adjustment range allowing for different installation requirements and thickness of wall/cladding materials.



OPTIONAL 13MM EXTENSION KIT

43mm of adjustment (to the back of faceplate) can be achieved using the 13mm extension kit. Code: 43472.00



TEN YEAR GUARANTEE*



FIVE YEAR COLOURED FINISH GUARANTEE*



MAINS PRESSURE



ETCHED HANDLE



FLAWLESS FINISH



EFFORTLESS CONTROL



LENTE SHOWER MIXER

Ø55
35MM PROGRESSIVE CARTRIDGE
MAINS PRESSURE

CHROME:
45270.02



BRUSHED
NICKEL:
45270.04



GUN
METAL:
45270.29



BLACK:
45270.13

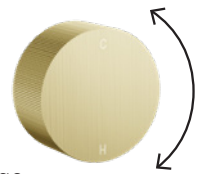


BRUSHED
BRASS:
45270.07



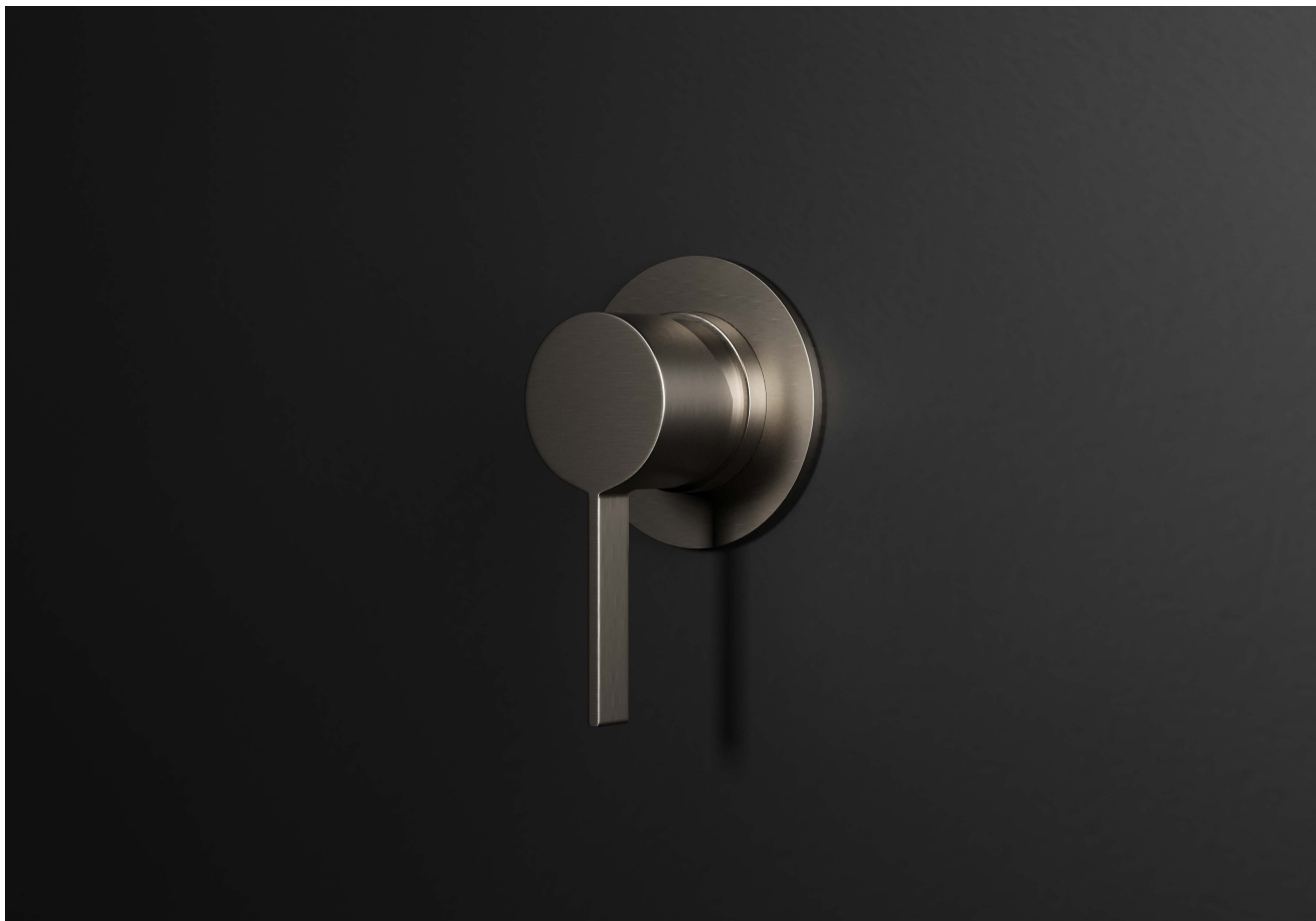
**PROGRESSIVE
CARTRIDGE**

A Progressive Cartridge
utilising Intelligent Valve Technology
allows the user to accurately adjust
water temperature with one rotational
motion for precise temperature control.

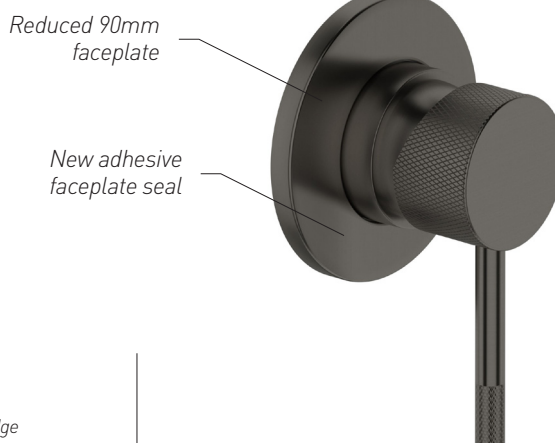
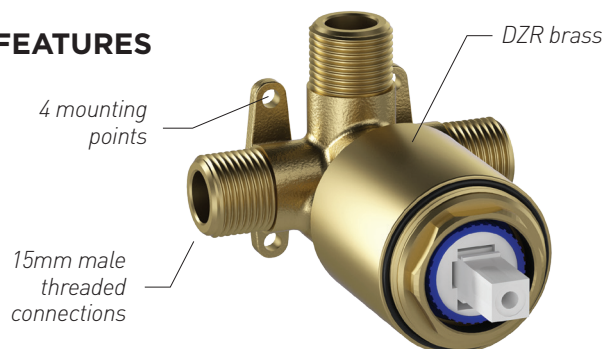


SHOWER MIXERS

A Single Lever Ceramic Cartridge Shower Mixer allows the user to control the volume of water by lifting a lever and adjusting the temperature by moving the lever from left to right. This action allows the user to control temperature and volume.



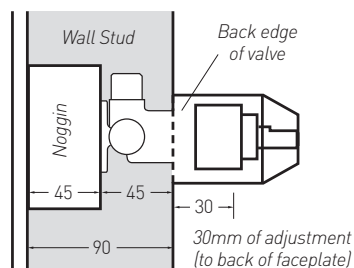
FEATURES



Note: The cartridge and handle can be changed to create a progressive mixer.

30MM ADJUSTMENT RANGE

The Mains Pressure shower mixer features a 30mm adjustment range allowing for different installation requirements and thickness of wall/cladding materials.



OPTIONAL 13MM EXTENSION KIT

43mm of adjustment (to the back of faceplate) can be achieved using the 13mm extension kit. Code: 43472.00



TEN YEAR GUARANTEE*



FIVE YEAR COLOURED FINISH GUARANTEE*



MAINS PRESSURE



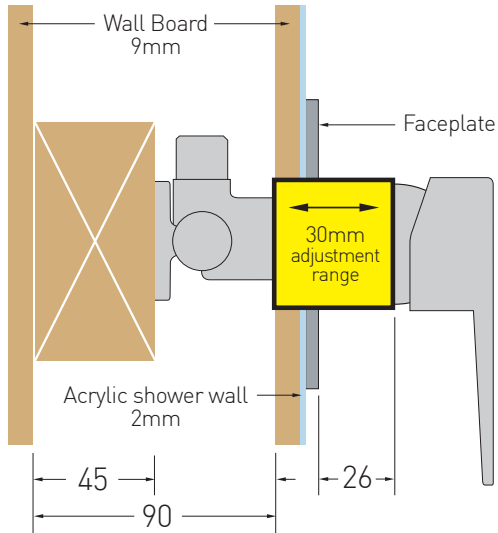
FLAWLESS FINISH



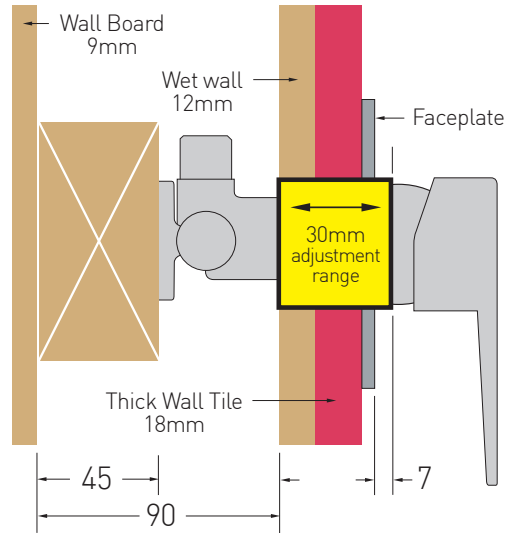
EFFORTLESS CONTROL

ADJUSTMENT EXAMPLES

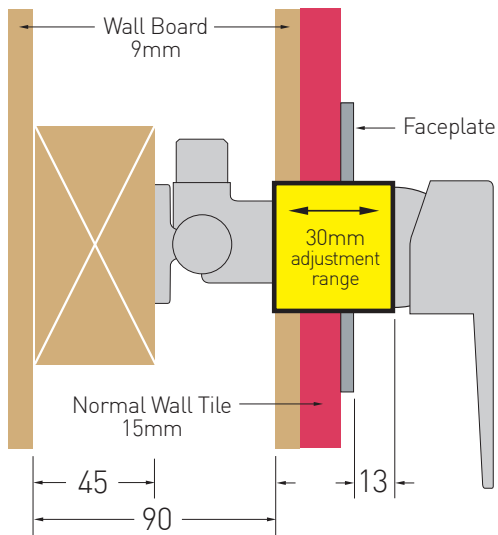
2MM ACRYLIC SHOWER WALL INSTALL



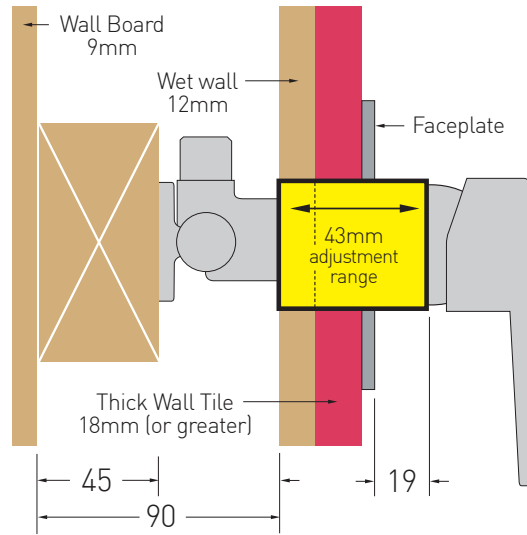
12MM THICK WET WALL AND 18MM THICK WALL TILE INSTALL



9MM THICK WET WALL AND 15MM TILE



12MM THICK WET WALL AND 18MM THICK WALL TILE (OR GREATER) DEEP ROUGH EXTENSION INSTALL



**UNO ETCH
SHOWER MIXER**

Ø90
MAINS PRESSURE
40MM CARTRIDGE

BRUSHED
NICKEL:
41675.04



GUN
METAL:
41675.29



BLACK:
41675.13



BRUSHED
BRASS:
41675.07



**UNO ETCH
SHOWER MIXER**

Ø65
MAINS PRESSURE
35MM METAL STEM CARTRIDGE

BRUSHED
NICKEL:
44770.04



GUN
METAL:
44770.29



BLACK:
44770.13



BRUSHED
BRASS:
44770.07



**ORZA
SHOWER MIXER**

100(W) X 150(H)
MAINS PRESSURE
40MM CARTRIDGE

CHROME:
41475.02



BRUSHED
NICKEL:
41475.04



GUN
METAL:
41475.29



BLACK:
41475.13



NEO SHOWER MIXER

80(W) X 140(H)
MAINS PRESSURE
40MM CARTRIDGE

CHROME:
44240.02



BRUSHED
NICKEL:
44240.04



GUN
METAL:
44240.29



BLACK:
44240.13



SAVON SHOWER MIXER

Ø90
MAINS PRESSURE
40MM CARTRIDGE

CHROME:
43170.02



BRUSHED
NICKEL:
43170.04



GUN
METAL:
43170.29



BLACK:
43170.13



SAVON SHOWER MIXER

Ø65
MAINS PRESSURE
35MM METAL STEM
CARTRIDGE

CHROME:
43770.02



BRUSHED
NICKEL:
43770.04



GUN
METAL:
43770.29



BLACK:
43770.13



DUE SHOWER MIXER

Ø80
GRADE 316 STAINLESS STEEL
40MM CARTRIDGE
MAINS PRESSURE

BRUSHED
NICKEL:
45170.04



GUN
METAL:
45170.29



BRUSHED
BRASS:
45170.07



CURA SHOWER MIXER

Ø90
MAINS PRESSURE
40MM CARTRIDGE

CHROME:
44470.02



CURA SHOWER MIXER

Ø65
MAINS PRESSURE
35MM METAL STEM
CARTRIDGE

CHROME:
43870.02



UNO SHOWER MIXER

Ø90
MAINS PRESSURE
40MM CARTRIDGE

CHROME:
43370.02



BRUSHED
NICKEL:
43370.04



GUN
METAL:
43370.29



BLACK:
43370.13



BRUSHED
BRASS:
43370.07



UNO SHOWER MIXER

Ø65
MAINS PRESSURE
35MM METAL STEM
CARTRIDGE

CHROME:
43670.02



BRUSHED
NICKEL:
43670.04



GUN
METAL:
43670.29



BLACK:
43670.13



BRUSHED
BRASS:
43670.07



PETTINE SHOWER MIXER

Ø90
MAINS PRESSURE
40MM CARTRIDGE

CHROME:
41775.02



BRUSHED
NICKEL:
41775.04



GUN
METAL:
41775.29



BLACK:
41775.13



BRUSHED
BRASS:
41775.07



PETTINE SHOWER MIXER

Ø65
MAINS PRESSURE
35MM METAL STEM
CARTRIDGE

CHROME:
44970.02



BRUSHED
NICKEL:
44970.04



GUN
METAL:
44970.29



BLACK:
44970.13



BRUSHED
BRASS:
44970.07



ION SHOWER MIXER

100(W) X 150(H)
MAINS PRESSURE
40MM CARTRIDGE

CHROME:
44275.02



BRUSHED
NICKEL:
44275.04



GUN
METAL:
44275.29



BLACK:
44275.13



BRUSHED
BRASS:
44275.07



ELEMENTI[®]

Elementi is Robertson Bathware's own unique brand. Born from decades of experience, and inspired by the latest international design trends, Elementi is a synthesis of innovation and style.

Distributed by

robertson[®]
BATHWARE
— SINCE 1987 —

Ph: +64 (0)9 573 0490
Fax: +64 (0)9 573 0495
Email: sales@robertson.co.nz

ROBERTSON.CO.NZ